



Sierra™ - Patio Covers

Elegant solution for a patio cover



3x4.25m / 10'x14'

Aesthetic roofing solution – allows for various outdoor usage, patio cover, carport or sun lounge area

- Designed and constructed with weather proof, water proof & maintenance free materials creating a beautiful outdoor space
- Poles & wall mounting plate are adjustable to meet your specific needs
- Virtually unbreakable, UV resistant 6mm polycarbonate roof panels
- Panels options: clear / grey
- Non yellowing UV protected roof panels
- Highly durable & corrosion resistant powder coated aluminium profiles & galvanised steel connector
- Built-in rain gutter & adjustable gutter heads (dia. 50 mm / 2")
- Anchoring & foot-pads kit included
- Simple DIY assembly – Sliding roof panels' installation
- A wide range of sizes available
- Add a spot of brightness to your space with the Lighting System (sold separately)

Product Movie

VIRTUALLY UNBREAKABLE POLYCARBONATE

With additional 50% margin of safety

Snow Load
120kg/m²
25lbs/ft²

Wind Resistance
90km/hr
56ml/hr

Light Transmission
Clear - 80%
Bronze - 15%



2.3x2.3m / 7.5'x7.5'



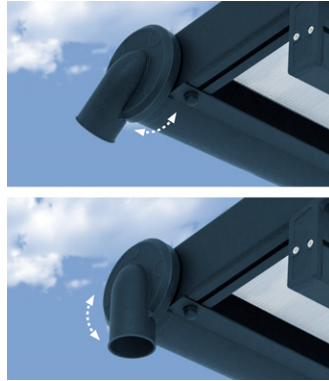
3x3.05m / 10'x10'



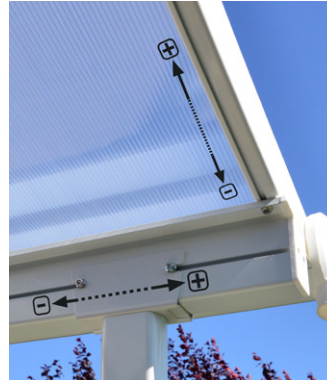
3x5.46m / 10'x18'



Sliding panels' assembly system



Built-in gutters & adjustable gutter heads

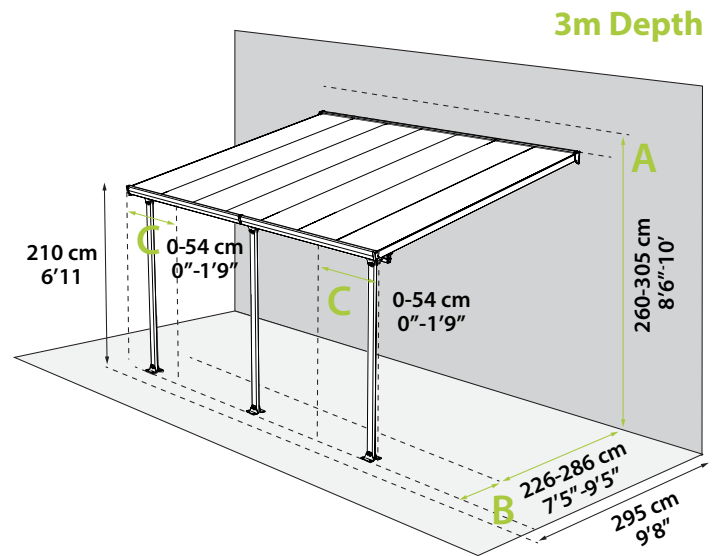
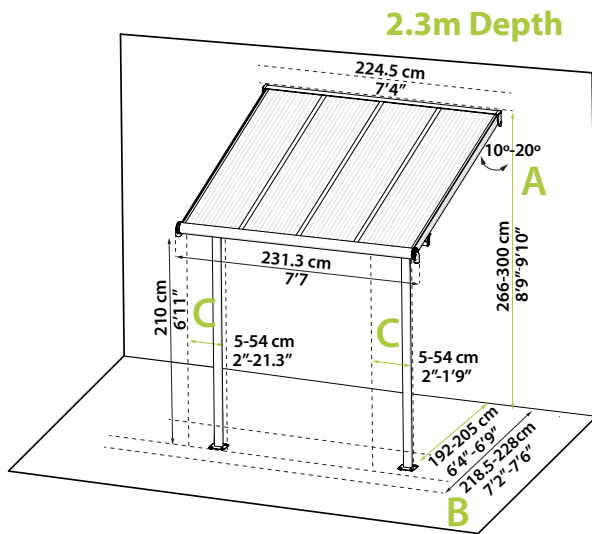


Position adjustment of poles



Anchoring & foot-pads kit included

Added value – adjustable and flexible fixing method



Custom fitting to match your patio dimensions **A** Wall height **B** Leg to wall depth **C** Legs distance

- Roofing brings sunlight to your patio and home
- Protection from harmful UV rays
- Virtually unbreakable 6 mm twin-wall Polycarbonate panels
- Maintenance free – no rust, rot or peel

White Structure Clear Glazing
2.3m Depth x 2.3m / 7.5' Depth x 7.5'



Grey Structure Bronze Glazing
3m Depth x 3.05m / 10' Depth x 10'



Lighting System



| Item Number | Barcodes | Package | Package Dim. |
|--|-------------------------------------|------------------|--|
| 704145 | EAN-13 7290108133875 | 1 Carton Package | 88.5 L x 6.5 W x 6.5 H cm 34.8" L x 2.6" W x 2.6" H |
| | UPC-A 763552429353 | | |
| Product Dim. | Gross / Net Weight | Master Carton | Master Carton Dim. |
| 67 L x 1.8 W x 0.7 H cm 26.4" L x 0.7" W x 0.3" H | 0.45 kg / 1 lbs 0.5 kg / 1.1 lbs | 20 | 109 L x 68 W x 14 H cm 42.9" L x 26.8" W x 5.5" H |

Extending the Patio Cover

Using the EZ Link Kit allows you to extend your Patio Cover to the specific lengths listed below.

| 2.3m/7'5" Size | 2.3m / 7'5" | 4.6m / 15' | 6.9m / 22'6" |
|----------------|-------------|------------|--------------|
| 2.3m/7'5" | 1 | 2 | 3 |
| EZ Link Kit | | 1 | 2 |

| 3m/10' Size | 3.05m / 10' | 4.25m / 14' | 5.46m / 18' | 6.10m / 20' | 7.30m / 24' | 8.50m / 28' | 9.15m / 30' | 9.71m / 32' |
|-------------|-------------|-------------|-------------|-------------|-------------|-------------|-------------|-------------|
| 3.05m/10' | 1 | | | 2 | 1 | | 3 | |
| 4.25m/14' | | 1 | | | 1 | 2 | | 1 |
| 5.46m/18' | | | 1 | | | | | 1 |
| EZ Link Kit | | | | 1 | 1 | 1 | 2 | 1 |

White Structure Clear Glazing
3m Depth x 4.25m / 10' Depth x 14'



Grey Structure Clear Glazing
3m Depth x 5.46m / 10' Depth x 18'



Specifications

| 2.3x2.3 m/ 7'5" x 7'5" | Struc / Glaz | Barcodes | Item # | Light Transmission | Assembled Dim. | Covering Area | Packages | Package Dimensions | Net / Gross Weight | Pallet Quantity | 40' HC Quantity |
|------------------------|-------------------|--|--------|--------------------|--|--|---------------------|---|----------------------|-----------------|-----------------|
| | White Clear | EAN-13 7290108131314 UPC-A 763552406941 | 703348 | 80% | 224.5L x 218.5-228 W x 266-300 H cm 7'4" L x 7'2"-7'6" W x 8'9"-9'10" H | 5.3 m ² 57 ft ² | 1 Carton Package | 226 x 59 x 13 cm 89" x 23.2" x 5.1" | 33.2 kg 73.2 lbs | 18 | 324 |
| | Grey Clear | EAN-13 7290108131307 UPC-A 763552406934 | 703347 | 80% | | | | | 29.6 kg 65.2 lbs | | |
| 3x3.05 m/ 10' x 10' | Struc / Glaz | Barcodes | Item # | Light Transmission | Assembled Dim. | Covering Area | Packages | Package Dimensions | Net / Gross Weight | Pallet Quantity | 40' HC Quantity |
| | White Clear | EAN-13 7290108130300 UPC-A 763552405821 | 703121 | 80% | 314 L x 295 W x 260-305 H cm 10'4" L x 9'8" W x 8'6"-10' H | 9.3 m ² 100.1 ft ² | 1 Carton Package | 309 x 65 x 12 cm 121.7" x 25.6" x 4.7" | 44.2 kg 97.5 lbs | 27/30 | 171 |
| | Grey Clear | EAN-13 7290108130294 UPC-A 763552405814 | 703120 | 80% | | | | | 49.4 kg 108.9 lbs | | |
| | Grey / Bronze | EAN-13 7290108137279 UPC-A 763552423979 | 705327 | 15% | | | | | | | |
| 3x4.25 m/ 10' x 14' | Struc / Glaz | Barcodes | Item # | Light Transmission | Assembled Dim. | Covering Area | Packages | Package Dimensions | Net / Gross Weight | Pallet Quantity | 40' HC Quantity |
| | White Clear | EAN-13 7290108130287 UPC-A 763552405807 | 702640 | 80% | 434 L x 295 W x 260-305 H cm 14'3" L x 9'8" W x 8'6"-10' H | 12.8 m ² 137.8 ft ² | 1 Carton Package | 309 x 65 x 17.5 cm 121.7" x 25.6" x 6.8" | 60.9 kg 134.3 lbs | 18/21 | 117 |
| | Grey Clear | EAN-13 7290108130270 UPC-A 763552405791 | 702639 | 80% | | | | | 66.7 kg 147.7 lbs | | |
| | Grey / Bronze | EAN-13 7290108137286 UPC-A 763552423986 | 705329 | 15% | | | | | | | |
| 3x5.46 m/ 10' x 18' | Struc / Glaz | Barcodes | Item # | Light Transmission | Assembled Dim. | Covering Area | Packages | Package Dimensions | Net / Gross Weight | Pallet Quantity | 40' HC Quantity |
| | White Clear | EAN-13 7290108130324 UPC-A 763552405845 | 703123 | 80% | 555 L x 295 W x 260-305 H cm 18'2" L x 9'8" W x 8'6"-10' H | 16.4 m ² 176.5 ft ² | 1 Carton Package | 309 x 65 x 21.5 cm 121.7" x 25.6" x 8.4" | 75.1 kg 165.5 lbs | 15 | 90 |
| | Grey Clear | EAN-13 7290108130317 UPC-A 763552405838 | 703122 | 80% | | | | | 80.9 kg 178.3 lbs | | |
| | Grey / Bronze | EAN-13 7290108137460 UPC-A 763552424594 | 705331 | 15% | | | | | | | |

| EZ Link Kit | Struc / Glaz | Barcodes | Item # | Assembled Dimensions | Packages | Package Dim. | Net / Gross Weight | Pallet Quantity |
|-------------|--------------|--|--------|---|--------------------------------|---|--------------------|-----------------|
| | White | EAN-13 7290103121938 UPC-A 763552403148 | 702532 | 40 L x 4.5 W x 8 H cm 1'4" L x 1.8" W x 3.2" H | 8 Units in Master Carton | 1 unit 49 x 11.5 x 9.5 cm 19.3" x 4.5" x 3.7" | 3.1 kg / 6.9 lbs | 192 Units |
| | Grey | EAN-13 7290108134728 UPC-A 763552428622 | 704480 | | | 1 master 60 x 36 x 27cm 23.6" x 14.1" x 10.6" | 25 kg / 55.1 lbs | |
| | | | | | | | 26 kg / 57.3 lbs | 24 Cartons |

| SideWall 3 / 10' | Struc / Glaz | Barcodes | Item # | Assembled Dimensions | Packages | Package Dimensions | Net / Gross Weight | Pallet Quantity | 40' HC Quantity |
|------------------|-----------------|--|--------|--|----------|--|---------------------|-----------------|-----------------|
| | White Clear | EAN-13 7290108137675 UPC-A 763552424495 | 704482 | 260 L x 6.7 W x 294.9 H cm 8'6" L x 3" W x 9'8" H | 1 Carton | 213.5 x 69 x 10.5 cm 84.1" x 27.2" x 4.1" | 43.5 kg 95.9 lbs | 20 | 320 |
| | Grey Clear | EAN-13 7290108137217 UPC-A 763552423917 | 704484 | | | | 48 kg 105.8 lbs | | |

Approx. dimensions. Unless a different definition is written, all products dimensions are the product's maximal dimensions.

Sierra™ - Patio Covers

Sizes, Colors, Barcodes and Item Numbers

| Size | Structure | Barcode | Item # |
|-----------------------|--|--|---------------|
| 2.3x2.3 m / 7'5"x7'5" | Grey / Clear | EAN-13 7290108131307 | 703347 |
| | | UPC-A 763552406934 | |
| | White / Clear | EAN-13 7290108131314 | 703348 |
| | | UPC-A 763552406941 | |
| 2.3x4.6 m / 7'5"x15' | White / Clear | EAN-13 7290108131598 UPC-A 763552407221 | 703481 |
| 2.3x6.9 m / 7'5"x23' | White / Clear | EAN-13 7290108131604 UPC-A 763552407238 | 703482 |
| 3x3.05 m / 10'x10' | Grey / Clear | EAN-13 7290108130294 | 703120 |
| | | UPC-A 763552405814 | |
| | White / Clear | EAN-13 7290108130300 | 703121 |
| | | UPC-A 763552405821 | |
| Grey / Bronze | EAN-13 7290108137279 UPC-A 763552423979 | 705327 | |
| 3x4.25 m / 10'x14' | Grey / Clear | EAN-13 7290108130270 | 702639 |
| | | UPC-A 763552405791 | |
| | White / Clear | EAN-13 7290108130287 | 702640 |
| | | UPC-A 763552405807 | |
| Grey / Bronze | EAN-13 7290108137286 UPC-A 763552423986 | 705329 | |
| 3x5.46 m / 10'x18' | Grey / Clear | EAN-13 7290108130317 | 703122 |
| | | UPC-A 763552405838 | |
| | White / Clear | EAN-13 7290108130324 | 703123 |
| | | UPC-A 763552405845 | |
| Grey / Bronze | EAN-13 7290108137460 UPC-A 763552424594 | 705331 | |

| Size | Structure | Barcode | Item # |
|--------------------|--|----------------------|---------------|
| 3x6.10 m / 10'x20' | Grey / Clear | EAN-13 7290108130607 | 703187 |
| | | UPC-A 763552405210 | |
| | White / Clear | EAN-13 7290108130546 | 703193 |
| | | UPC-A 763552405159 | |
| Grey / Bronze | EAN-13 7290108137477 UPC-A 763552424600 | 705333 | |
| 3x7.30 m / 10'x24' | Grey / Clear | EAN-13 7290108130614 | 703188 |
| | | UPC-A 763552405227 | |
| | White / Clear | EAN-13 7290108130553 | 703194 |
| | | UPC-A 763552405166 | |
| Grey / Bronze | EAN-13 7290108137484 UPC-A 763552424617 | 705334 | |
| 3x8.50 m / 10'x28' | Grey / Clear | EAN-13 7290108130621 | 703189 |
| | | UPC-A 763552405234 | |
| | White / Clear | EAN-13 7290108130560 | 703195 |
| | | UPC-A 763552405173 | |
| Grey / Bronze | EAN-13 7290108137491 UPC-A 763552424624 | 705337 | |
| 3x9.15 m / 10'x30' | Grey / Clear | EAN-13 7290108130638 | 703190 |
| | | UPC-A 763552405241 | |
| | White / Clear | EAN-13 7290108130577 | 703196 |
| | | UPC-A 763552405180 | |
| Grey / Bronze | EAN-13 7290108137507 UPC-A 763552424631 | 705340 | |
| 3x9.71 m / 10'x32' | Grey / Clear | EAN-13 7290108130645 | 703191 |
| | | UPC-A 763552405258 | |
| | White / Clear | EAN-13 7290108130584 | 703197 |
| | | UPC-A 763552405197 | |
| Grey / Bronze | EAN-13 7290108137514 UPC-A 763552424648 | 705341 | |